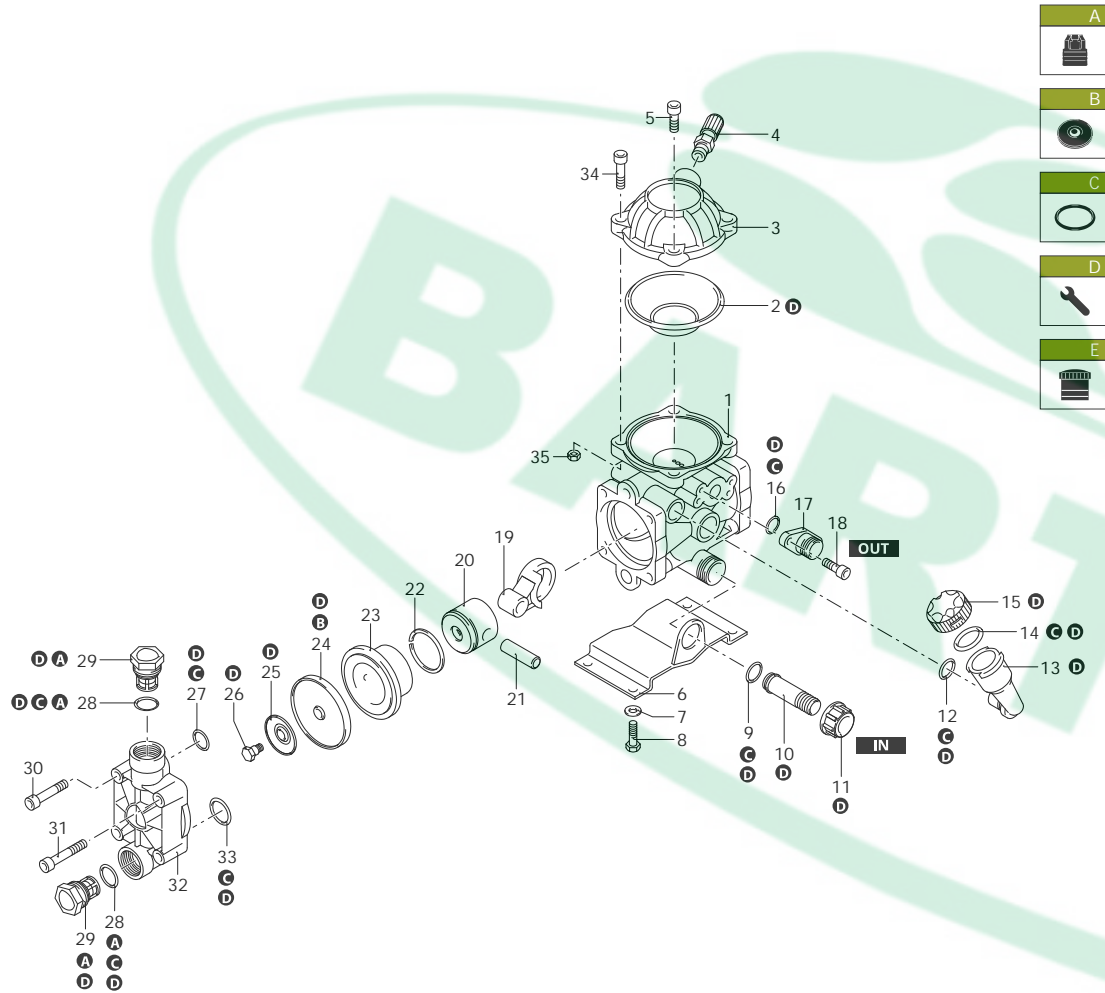




# AR 252

32093 AR 252 SP - BlueFlex



Code	Description	Q	Note
1	800010 Pump body	1	
2	800190 Diaphragm	1	
3	800232 Semi air chamber	1	
4	800650 Air valve	1	
5	540290 Screw	1	C=20Nm / Loxeal 83-21
6	800311 Foot	1	
7	380241 Washer	2	
8	180431 Screw	2	C=30Nm
9	390180 O-ring	1	Lubricate with motor oil
10	800340 Hose tail	1	
11	550450 Ring nut	1	
12	740290 O-ring	1	Lubricate Molykote PG54
13	801960 Tank	1	
14	550040 O-ring	1	Lubricate with motor oil
15	550052 Plug	1	black
16	480440 O-ring	1	Lubricate Molykote G-807
17	800692 Flange	1	
18	880280 Screw	2	C=10Nm
19	800140 Connecting-rod	2	Lubricate with motor oil
20	802070 Piston	2	
21	800130 Pin	2	Lubricate with motor oil
22	802080 Piston ring	2	
23	802050 Sleeve	2	
24	800082 Diaphragm	2	BlueFlex - Øe 72
25	800350 Plate	2	
26	800090 Hub pin	2	C=20Nm / Lubricate Molykote 1000
27	800210 O-ring	2	Lubricate with motor oil
28	880830 O-ring	4	Lubricate Molykote G-807
29	809060 Complete valve	4	
30	800220 Screw	7	C=20Nm
31	680360 Screw	1	C=20Nm
32	801940 Head	2	
33	480440 O-ring	2	Lubricate Molykote G-807
34	680350 Screw	3	C=10Nm
35	390270 Nut	3	C=10Nm
A	2408 Valve kit	1	
B	43195 Diaphragms kit	1	BlueFlex
C	2409 O-ring kit	1	
D	47421 Maintenance repair kit	1	BlueFlex
E	42506 Tank kit	1	

AR\_01\_023\_v01

Customer: AR  
Customer Code:



SAE 30  
0,340 Kg

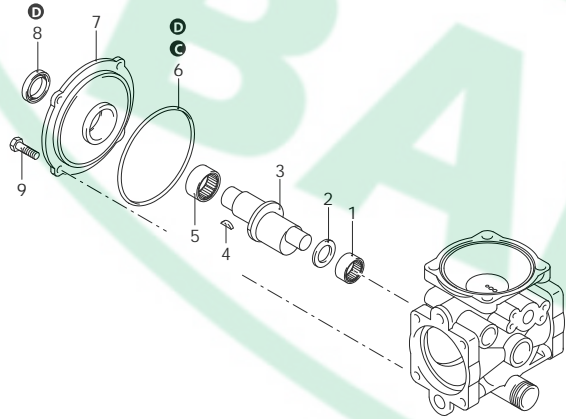
Revision: 1

Date: 25/08/2023



# AR 252

32093 AR 252 SP - BlueFlex



Code	Description	Q	Note
1	480370 Bushing	1	Lubricate with Mineral Grease
2	800160 Spacer	1	Lubricate with Mineral Grease
3	800171 Shaft	1	D marked
4	800590 Key	1	
5	800180 Bushing	1	Lubricate with Mineral Grease
6	800380 O-ring	1	Ø 97x1,6 Lubricate with motor oil
7	800020 Flange	1	
8	800200 Ring	1	seal
9	320350 Screw	4	C=10Nm TE M6x12
A	2408 Valve kit	1	
B	43195 Diaphragms kit	1	BlueFlex
C	2409 O-ring kit	1	
D	47421 Maintenance repair kit	1	BlueFlex

AR\_03\_040\_v01

Customer: AR  
Customer Code:



SAE 30  
0,340 Kg

Revision: 1

Date: 25/08/2023