

- 86.4068.50.2 (x20) **[40Nm-29.5Lbft]**
- 84.3845.00.2 (x20)
- 28.9905.97.3 (AISI 316)(x10)⊙
- 28.9809.97.3 (AISI 303)(opt.)(x10)○
- 63.9800.97.3 (PP)(opt.)(x10)△
- 80.3314.50.2 (x10)▲●■▼◆◊◌◐◑◒◓
- 28.0229.32.2 (x5)
- 80.3209.30.2 (x5)■◌◐◑◒◓

- 62.0025.32.2 (x5)

- 62.0040.00.ADS (std.) (Duramax) (x5)▲
- 62.0040.00.A (Desmopan) (x5)●
- 62.0040.31.2 (Buna-N) (x5)■
- 62.0040.33.2 (Viton) (x5)◼
- 62.0040.36.2 (HPS) (x5)▼
- 62.0040.37.2 (Pentax) (x5)◆

- 84.0542.40.2 (std.) (90°, D.25-1")
- 84.1608.40.2 (straight, D.25-1")
- 84.0560.00.2 (90°, D.30-1.18")
- 84.1620.50.2 (straight, D.30-1.18")

- 82.0120.00.2
- 84.0610.00.2 (std.) (90°)
- 84.1643.00.2 (straight)
- 80.3209.15.2 (x2)
- 55.0007.32.2A (from 10/22)
- 55.0006.32.2A(x5)(from 10/22)
- 80.3250.10.2 (x10)◼◊◓
- 84.3685.40.2 (x20)
- 81.4573.00.2 (x20) (from 02/20) **[15Nm-11Lbft]**
- 83.8260.20.2 (x20) (from 02/20)
- 86.2985.50.2 (x20) (before 01/20) **[10Nm-7.4Lbft]**

- 62.9811.97.3 (x5)
- 85.2006.70.2 (x5)
- 80.0021.00.2 (x10)

- 28.0144.32.2
- 41.0017.31.2
- 14.0116.32.2
- 55.0004.32.2
- 84.3685.40.2 (x2)
- 86.2684.00.2 (x2)
- 80.3180.00.2 **[8Nm-5.9Lbft]**

- 55.9817.97.3
- 85.2720.00.2
- 80.3206.50.2◼
- 82.0067.50.2
- 80.3219.05.2
- 83.5089.00.2
- 80.3219.15.2◼
- 55.0008.32.2A (x2) (from 10/22)

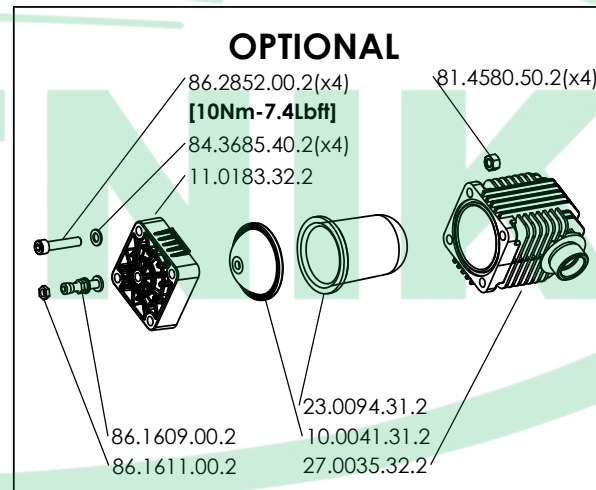
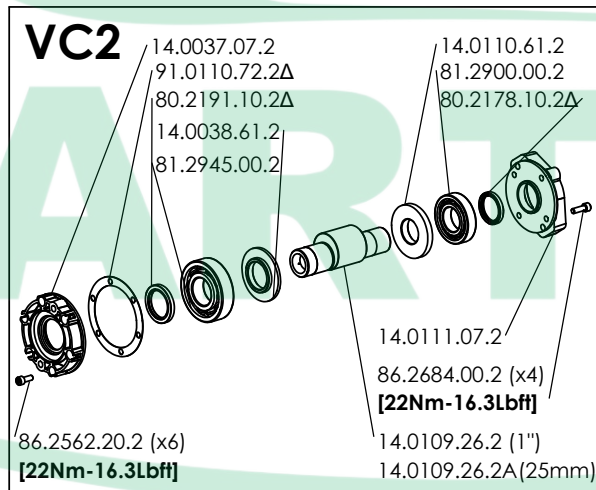
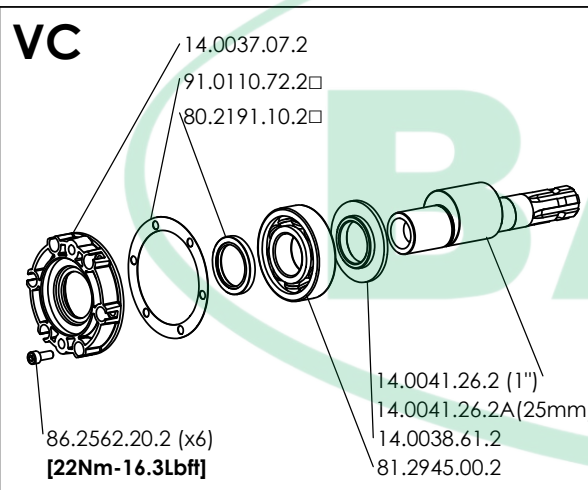
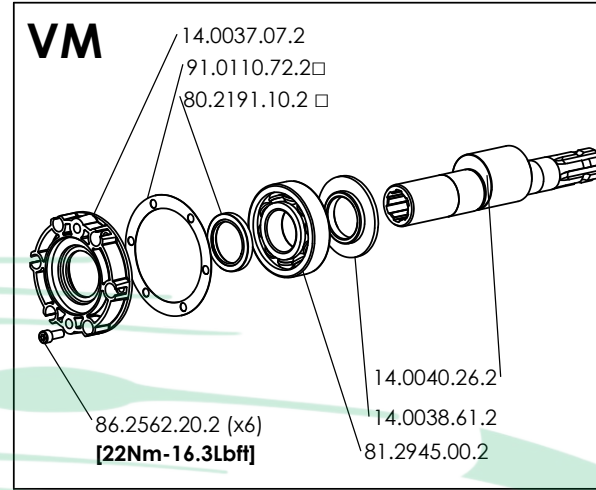
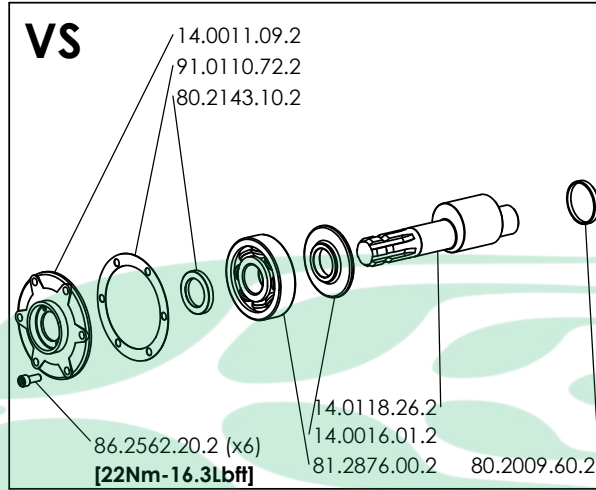
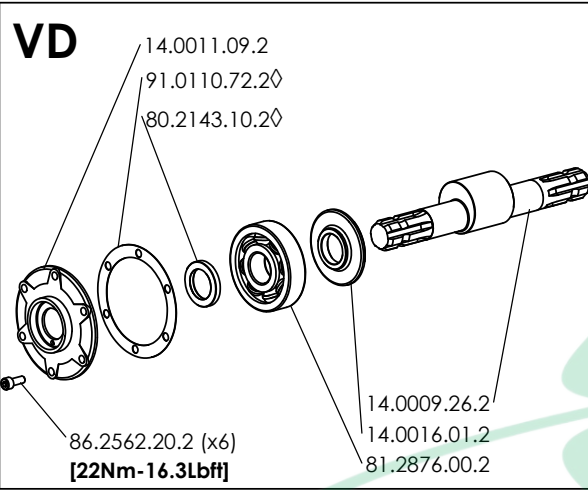
- 55.0059.51.2 (x10) (from 10/22)
- 80.2143.10.2◊◓ (VD-VM-VC)

- 55.0005.11.2 (x5)

- VD-VS-VM-VC
- 14.0015.76.2 (x2)
  - 14.0016.01.2
  - 81.2867.00.2
  - 80.1369.00.2

- 86.4139.10.2 (x3) **[70Nm-51.6Lbft]** **[LOXAL 54-03]**

- 55.0001.09.2
- 82.4066.00.2
- 86.3694.65.2 **[40Nm-29.5Lbft]**
- 81.4689.30.2 (x3)
- 84.3896.05.2 (x6)
- 55.0003.61.2 (x2)
- 85.2577.10.2 (x2) **[5Nm-3.7Lbft]** **[LOXAL 24-18]**
- 55.0009.32.2A(x2)(from 10/22)



**OPTIONAL FRONT**

31.1468.32.2 (L=135)  
31.1482.32.2 (L=180)

84.3697.00.2  
86.2684.00.2

**SAFETY VALVE**

24.3115.97.3

MATERIALE - MATERIAL STD. - OPT.	KIT MEMBRANE - DIAPHRAGMS KIT						KIT VALVOLE - VALVES KIT			KIT POMPA - PUMP KIT			
	DURAMAX STD.	DESMOPAN OPT.	BUNA-N OPT.	HPS OPT.	VITON OPT.	PENTAX OPT.	INOX 303 OPT.	INOX 316 STD.	PP OPT.	VD	VM-VC	VC2	
CODICE - CODE	55.9805.97.3DS	55.9805.97.3	55.9804.97.3	55.9806.97.3	55.9807.97.3	55.9812.97.3	55.9803.97.3	55.9906.97.3	55.9802.97.3	55.9801.97.3	55.9814.97.3	55.9815.97.3	
COMPONENTI COMPONENTS	▲	●	■	▼	◼	◆	○	◎	⏏	◇	□	△	

INFORMAZIONI UTILI - USEFUL INFORMATION				
OLIO - OIL	OLIO MOTORE O SEMIIDRAULICO SAE 30 MOTOR OIL OR SEMI-HYDRAULIC OIL			
PRESSIONE DI LAVORO OPERATING PRESSURE	2 ÷ 5	5÷10	10 ÷ 20	20 ÷ 50
ACCUMULATORE	2	2÷5	5÷7	6÷8