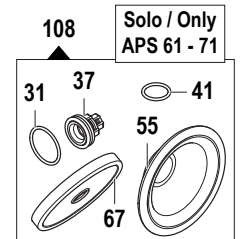
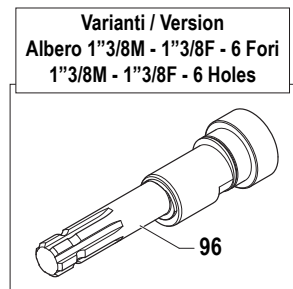
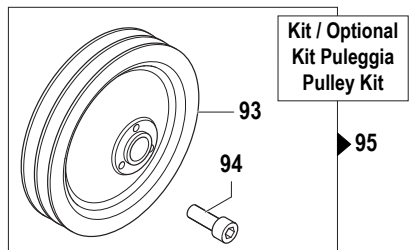
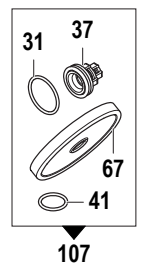
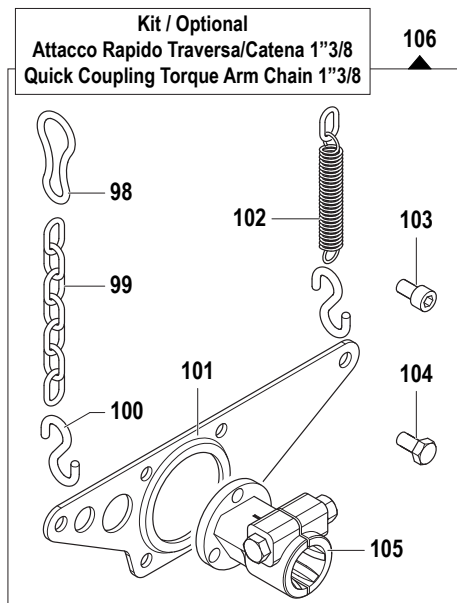
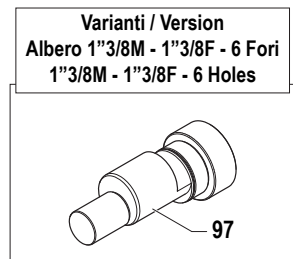
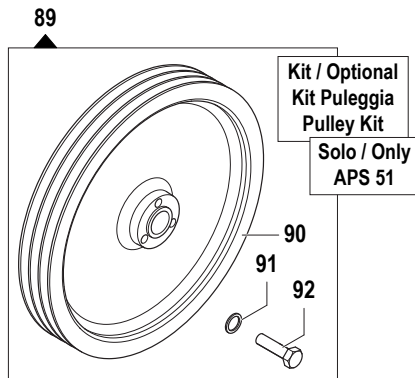
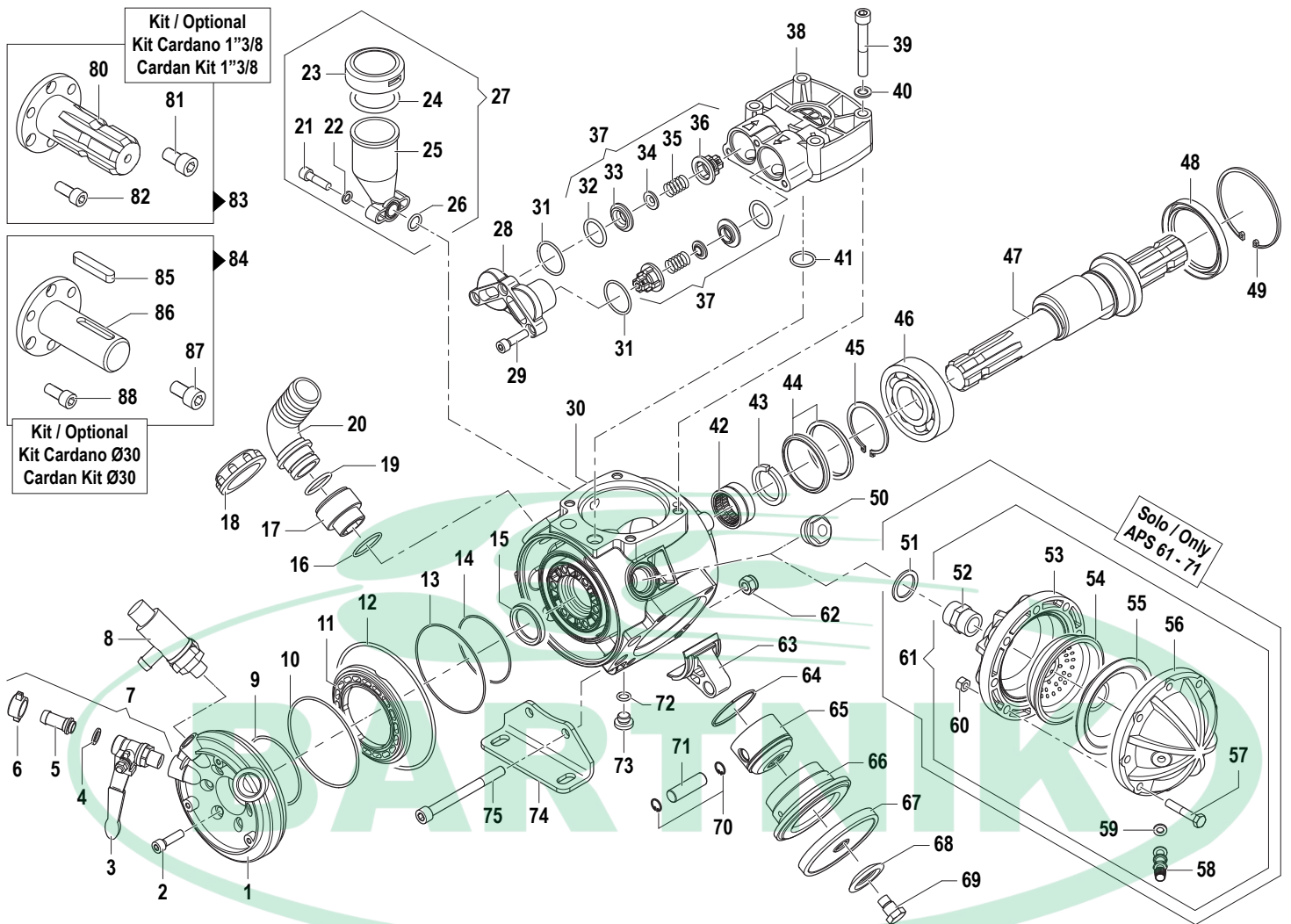


APS Series

Pompe a Membrana - Diaphragm Pumps

APS 51 - APS 61 - APS 71

550 RPM



Pompa Base
Standard Pump

Albero Passante 1 1/8 M-M
1 1/8 M-M Throughshaft

APS 51 - APS 61 - APS 71

550 RPM

| N° | Cod. | Descrizione | Description | Note | Qty | Model |
|----|-----------|-----------------------------|--------------------------------|--------------------------------|-----|--------------------|
| 1 | 1009 0202 | Flangia Collettore | Manifold Flange | | 1 | |
| 2 | 3609 0006 | Vite | Screw | M8x30 | 6 | |
| 3 | 2826 0030 | Rubinetto SX | Left Tap | G3/8"-1/2" | 1 | |
| 4 | 1209 0013 | Guarnizione | Gasket | Ø12x18x2 | 1 | |
| 5 | 2802 0018 | Raccordo p.g. Mandata | Delivery Hose Tail | Ø8x10 | 1 | |
| 6 | 1200 0038 | Galletto | Wing Nut | G1/2" | 1 | |
| 7 | 1214 0014 | Gruppo Rubinetto SX | Left Complete Tap | | 1 | |
| 8 | 1219 0051 | Gruppo Valvola Sicurezza | Safety Valve Assembly | 50 bar 20-100L | 1 | APS71 |
| | 1219 0046 | Gruppo Valvola Sicurezza | Safety Valve Assembly | 40 bar 0-100L | 1 | APS61 APS51 |
| 9 | 1210 0431 | Guarnizione OR | O-Ring | Ø2,62x75,87 | 1 | |
| 10 | 1210 0206 | Guarnizione OR | O-Ring | Ø2,62x101,27 | 1 | |
| 11 | 0602 0058 | Distanziale in Plastica | Plastic Spacer | NERO / BLACK | 1 | |
| 12 | 1210 0349 | Guarnizione OR | O-Ring | Ø3,53x142,5 | 1 | |
| 13 | 1210 0345 | Guarnizione OR | O-Ring | Ø1,78x101,32 | 1 | |
| 14 | 1210 0347 | Guarnizione OR | O-Ring | Ø1,78x75,92 | 1 | |
| 15 | 0019 0083 | Anello Tenuta | Oil Seal | Ø35x47x7 | 1 | |
| 16 | 1210 0173 | Guarnizione OR | O-Ring | Ø2,62x32,99 | 1 | |
| 17 | 2803 0108 | Raccordo | Coupling | G1" M46x2 | 1 | |
| 18 | 1200 0011 | Galletto | Wing Nut | M46x2 | 1 | |
| 19 | 1210 0034 | Guarnizione OR | O-Ring | Ø3,53x28,17 | 1 | |
| 20 | 2801 0009 | Raccordo p.g. Aspir. Curvo | Suction Elbow Tail | Ø25x35 | 1 | |
| 21 | 3609 0213 | Vite | Screw | M8x30 | 2 | |
| 22 | 2811 0004 | Rondella | Washer | Ø8,4x14x1,6 | 2 | |
| 23 | 0402 0141 | Coperchio Compens. Volum. | Volum. Compensator Cover | | 1 | |
| 24 | 1210 0200 | Guarnizione OR | O-Ring | Ø2,62x42,52 | 1 | |
| 25 | 0421 0015 | Compensatore Volum. | Volumetric Compensator | | 1 | |
| 26 | 1210 0390 | Guarnizione OR | O-Ring | Ø2x17 | 1 | |
| 27 | 1208 0013 | Kit Compensat.Volum. | Volumetric Compens. Kit | | 1 | |
| 28 | 3202 0197 | Tappo Valvola Aspir./Mand. | Plug | | 3 | |
| 29 | 3609 0006 | Vite | Screw | M8x30 | 9 | |
| 30 | 0403 0115 | Carter Pompa | Pump Crankcase | | 1 | |
| 31 | 1210 0032 | Guarnizione OR | O-Ring | Ø2,62x34,6 | 6 | |
| 32 | 1210 0443 | Guarnizione OR | O-Ring | Ø3,53x25,8 | 6 | |
| 33 | 3009 0115 | Sede Valvola Aspir./Mand. | Suction/Delivery Valve Seat | | 6 | |
| 34 | 3604 0023 | Valvola Aspiraz./Mandata | Suction/Delivery Valve | | 6 | |
| 35 | 1802 0015 | Molla (Filo Ø0,8) | Spring (Wire Ø0,8) | Øe11x17 | 6 | |
| 36 | 1205 0029 | Gabbia Valvola Aspir./Mand. | Suction/Delivery Valve Cage | | 6 | |
| 37 | 1220 0035 | Gruppo Valvola Asp./Mand. | Suct./Delivery Valve Ass.y kit | | 6 | |
| 38 | 3218 0103 | Testata Pompa | Pump Manifold | | 3 | |
| 39 | 3609 0078 | Vite | Screw | M10x70 | 12 | |
| 40 | 2811 0098 | Rondella | Washer | Ø10,5x18x2 | 12 | |
| 41 | 1210 0047 | Guarnizione OR | O-Ring | Ø2,62x22,22 | 6 | |
| 42 | 0437 0022 | Cuscinetto Rulli | Roller Bearing | Ø35x42x20 | 1 | |
| 43 | 0009 0186 | Anello | Ring | | 1 | |
| 44 | 0010 0021 | Anello Tenuta Biella | Connecting Rod Ring | Ø68x59x5,5 | 2 | |
| 45 | 3019 0001 | Seeger Esterno | Outer Seeger | Ø55 | 1 | |
| 46 | 0438 0001 | Cuscinetto a Sfere | Ball Bearing | Ø55x90x18 | 1 | |
| 47 | 0001 0518 | Albero Passante | Throughshaft | 1"3/8 M-M | 1 | APS71 |
| | 0001 0517 | Albero Passante | Throughshaft | 1"3/8 M-M | 1 | APS61 |
| | 0001 0516 | Albero Passante | Throughshaft | 1"3/8 M-M | 1 | APS51 |
| 48 | 0019 0085 | Anello Tenuta | Oil Seal | Ø70x90x10 | 1 | |
| 49 | 3020 0002 | Seeger Interno | Inner Seeger | Ø90 | 1 | |
| 50 | 0432 0031 | Tappo | Cap | G3/4" | 1 | Solo/Only APS51 |
| 51 | 0601 0284 | Distanziale | Spacer | Ø36xØ27x3 | 1 | |
| 52 | 2000 0024 | Nipplo | Nipple | G3/4"-G3/4" | 1 | |
| 53 | 0002 0031 | Accumulatore Press. Infer. | Pressure Accumulator | | 1 | |
| 54 | 0460 0036 | Calotta Sostegno Membrana | Diaphragm Support Cap | | 1 | |
| 55 | 1800 0034 | Membrana Accumulatore | Diaphragm | | 1 | Solo/Only |
| 56 | 0003 0027 | Accumulatore Press. Sup. | Pressure Accumulator | | 1 | APS61 |
| 57 | 3607 0025 | Vite Testa Esagonale | Hexagonal Screw | M8x45 | 8 | APS71 |
| 58 | 3610 0003 | Valvola Aria | Air Valve | | 1 | |
| 59 | 1209 0033 | Guarnizione | Gasket | Ø14x7,5x2 | 2 | |
| 60 | 0604 0015 | Dado | Nut | M8 | 8 | |
| 61 | 1225 0014 | Gruppo Accumulatore Press. | Pressure Accumulator Ass.y | | 1 | |
| 62 | 0604 0073 | Dado | Nut | M10x10 | 2 | |
| 63 | 0205 0053 | Kit Biella 3SET | Connecting Rod Assembly | | 1 | |
| 64 | 0020 0008 | Anello Compressione | Compression Ring | Ø58x2x2,3 | 3 | |
| 65 | 2409 0067 | Pistone | Piston | Ø58 | 3 | |
| 66 | 0400 0074 | Camicia | Piston Sleeve | Ø58 | 3 | APS71 |
| | 0400 0073 | Camicia | Piston Sleeve | Ø58 | 3 | APS61 |
| | 0400 0072 | Camicia | Piston Sleeve | Ø58 | 3 | APS51 |
| 67 | 1800 0088 | Membrana Pompa | Diaphragm | Gomma Nitrilica Buna Rubber | 3 | |
| | 1800 0096 | Membrana Pompa | Diaphragm | Desmopan ® | 3 | |
| | 1800 0095 | Membrana Pompa | Diaphragm | Viton ® | 3 | |
| 68 | 0602 0010 | Disco Tenuta Membrana | Disc | | 3 | |
| 69 | 3605 0005 | Vite Speciale Tenuta Membr. | Diaphragm Holder Screw | M12x1,5 | 3 | |

| N° | Cod. | Descrizione | Description | Note | Qty | Model |
|----|-----------|----------------------|-----------------------|-------------|-----|-------|
| 70 | 3020 0029 | Seeger Interno | Inner Seeger | Ø14 | 6 | |
| 71 | 3011 0021 | Spinotto | Gudgeon Pin | Ø14x47,5 | 3 | |
| 72 | 1210 0044 | Guarnizione OR | O-Ring | Ø2,62x 9,92 | 1 | |
| 73 | 3200 0010 | Tappo Esagonale | Plug | G1/4" | 1 | |
| 74 | 2400 0066 | Piede Sostegno Pompa | Pump Mounting Bracket | | 2 | |
| 75 | 3609 0049 | Vite | Screw | M10x120 | 2 | |

Kit

Optional

| | | | | | | |
|----|-----------|-------------|------------|--------|---|--|
| 80 | 0027 0016 | Albero | Shaft | 1"3/8 | 1 | |
| 81 | 3609 0026 | Vite | Screw | M10x18 | 3 | |
| 82 | 3609 0157 | Vite | Screw | M8x18 | 3 | |
| 83 | 5003 0007 | Kit Cardano | Cardan Kit | 1"3/8 | 1 | |

Kit

Optional

| | | | | | | |
|----|-----------|------------------------|----------------------|-----------------|---|------------------|
| 84 | 5003 0014 | Kit Cardano Cilindrico | Cylindric Cardan Kit | Ø30 | 1 | |
| | 5003 0041 | Kit Cardano Cilindrico | Cylindric Cardan Kit | 1" | 1 | |
| 85 | 1602 0018 | Linguetta | Key | 8x7x40 | 1 | Solo/Only Ø30 |
| 86 | 0027 0017 | Albero | Shaft | Ø30 Cil. / Cyl. | 1 | |
| 86 | 0027 0023 | Albero | Shaft | 1" Cil. / Cyl. | 1 | |
| 87 | 3609 0026 | Vite | Screw | M10x18 | 3 | |
| 88 | 3609 0157 | Vite | Screw | M8x18 | 3 | |

Kit

Optional

| | | | | | | |
|----|-----------|----------------------|-----------------|-------------|---|--|
| 89 | 5001 0062 | Kit Puleggia | Pulley Kit | 2A-Øp247 mm | 1 | |
| | 5001 0064 | Kit Puleggia | Pulley Kit | 2A-Øp292 mm | 1 | |
| 90 | 2424 0007 | Puleggia | Pulley | 2A-Øp247 mm | 1 | |
| | 2424 0008 | Puleggia | Pulley | 2A-Øp292 mm | 1 | |
| 91 | 2819 0004 | Rosetta Elastica | Spring Washer | Ø8,4x14,4x2 | 3 | |
| 92 | 3607 0008 | Vite Testa Esagonale | Hexagonal Screw | M8x35 | 3 | |

Kit

Optional

| | | | | | | |
|----|-----------|--------------|------------|-------------|---|--|
| 93 | 2424 0016 | Puleggia | Pulley | 3A-Øp292 mm | 1 | |
| | 2424 0035 | Puleggia | Pulley | 3A-Øp350 mm | 1 | |
| 94 | 3609 0161 | Vite | Screw | M10x45 | 3 | |
| 95 | 5001 0043 | Kit Puleggia | Pulley Kit | 3A-Øp292 mm | 1 | |
| | 5001 0045 | Kit Puleggia | Pulley Kit | 3A-Øp350 mm | 1 | |

Varianti

Version

| | | | | | | |
|----|-----------|------------------------|----------------------|-----------|---|-------|
| 96 | 0001 0515 | Albero Passante 6 Fori | 6 Holes Throughshaft | 1"3/8 M-F | 1 | APS71 |
| | 0001 0514 | Albero Passante 6 Fori | 6 Holes Throughshaft | 1"3/8 M-F | 1 | APS61 |
| | 0001 0513 | Albero Passante 6 Fori | 6 Holes Throughshaft | 1"3/8 M-F | 1 | APS51 |

Varianti

Version

| | | | | | | |
|----|-----------|----------------------------|--------------------------|------------------|---|-------|
| 97 | 0001 0322 | Albero NON Passante 6 Fori | 6 Holes-NON Throughshaft | 6 Fori - 6 Holes | 1 | APS71 |
| | 0001 0295 | Albero NON Passante 6 Fori | 6 Holes-NON Throughshaft | 6 Fori - 6 Holes | 1 | APS61 |
| | 0001 0277 | Albero NON Passante 6 Fori | 6 Holes-NON Throughshaft | 6 Fori - 6 Holes | 1 | APS51 |

Kit

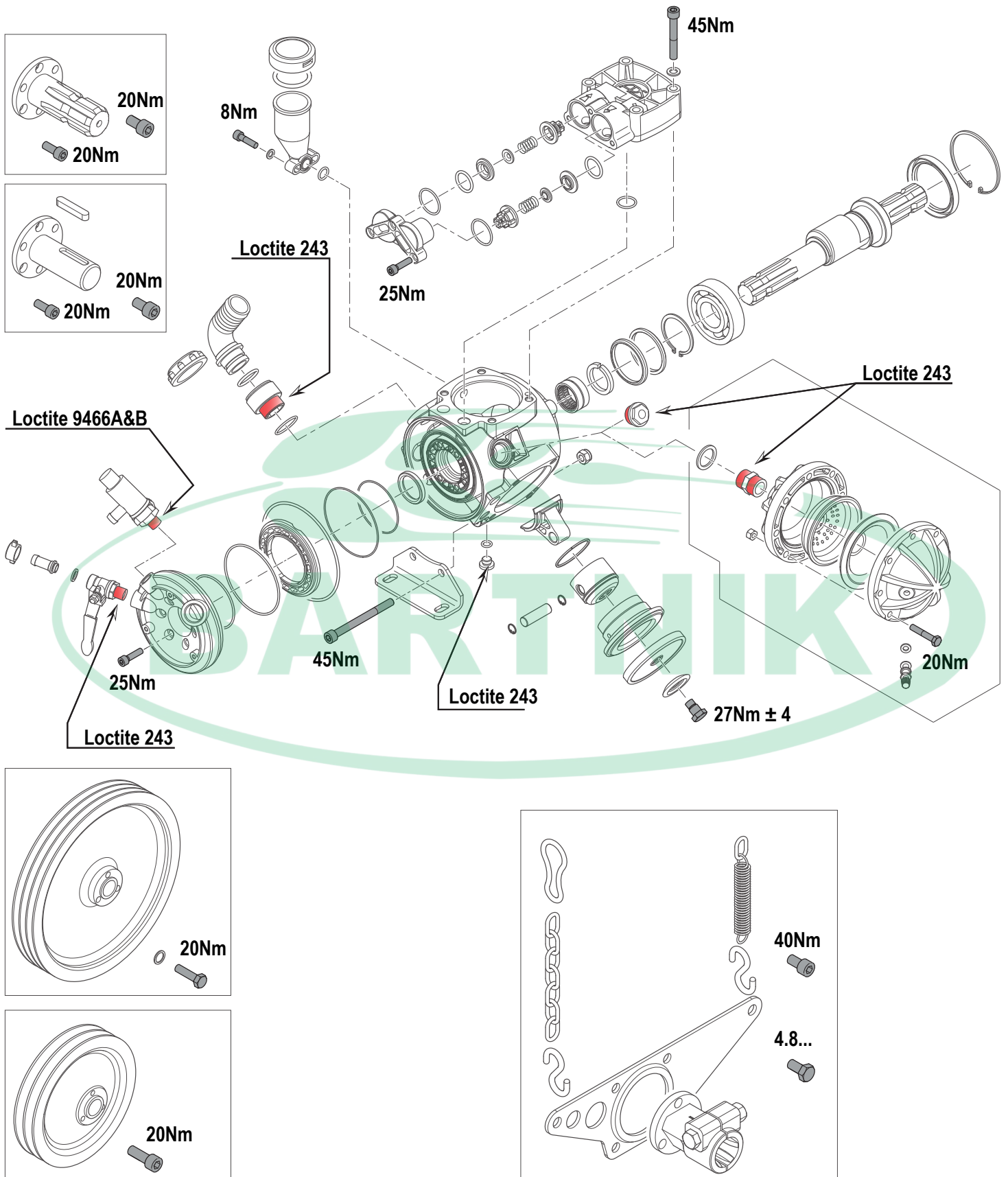
Optional

| | | | | | | |
|-----|-----------|-----------------------------|------------------------------|----------|---|--|
| 98 | 1202 0009 | Gancio | Hook | | 2 | |
| 99 | 0465 0001 | Catena ad Anelli | Chain | 500 mm | 2 | |
| 100 | 1202 0006 | Gancio | Hook | Ø6 | 2 | |
| 101 | 3221 0003 | Traversa Attacco Rapido | Torque Arm - Quick Coupling | | 1 | |
| 102 | 1802 0040 | Molla (Filo Ø2,5) + Gancio | Spring (Wire Ø2,5) + Hook | Øe20x100 | 1 | |
| 103 | 3609 0026 | Vite Testa Esagono | Exagonal Screw | M10x18 | 3 | |
| 104 | 3607 0225 | Vite Testa Esagonale | Hexagonal Screw | M10x20 | 4 | |
| 105 | 1407 0046 | Innesto Calettato | Quick Coupling | Ø1"3/8 F | 1 | |
| 106 | 5002 0003 | Kit Traversa Attacco Rapido | Torque Arm - Quick Coup. Kit | | 1 | |

Kit Manutenzione

Maintenance Kit

| | | | | | | |
|-----|-----------|----------------------------|--------------------------|--|---|-----------------|
| 107 | 5026 0084 | Kit Manutenzione Ordinaria | Ordinary Maintenance Kit | | 1 | APS51 |
| 108 | 5026 0085 | Kit Manutenzione Ordinaria | Ordinary Maintenance Kit | | 1 | APS71 APS 61 |



Tolleranza generale coppie di serraggio
Standard tightening torques

+/- 5%
+/- 5%